

O.C. 350 SUBMERSIBLE DECK BARGE

REGISTRATION

Official No. 579921
 Port of Houma, Louisiana
 Builder Tampa Ship Repair & Drydock, Inc.
 Year 1977
 Net Tonnage 5,167.00
 Gross Tonnage 5,167.40

DIMENSIONS

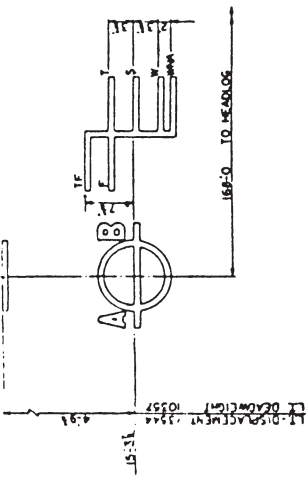
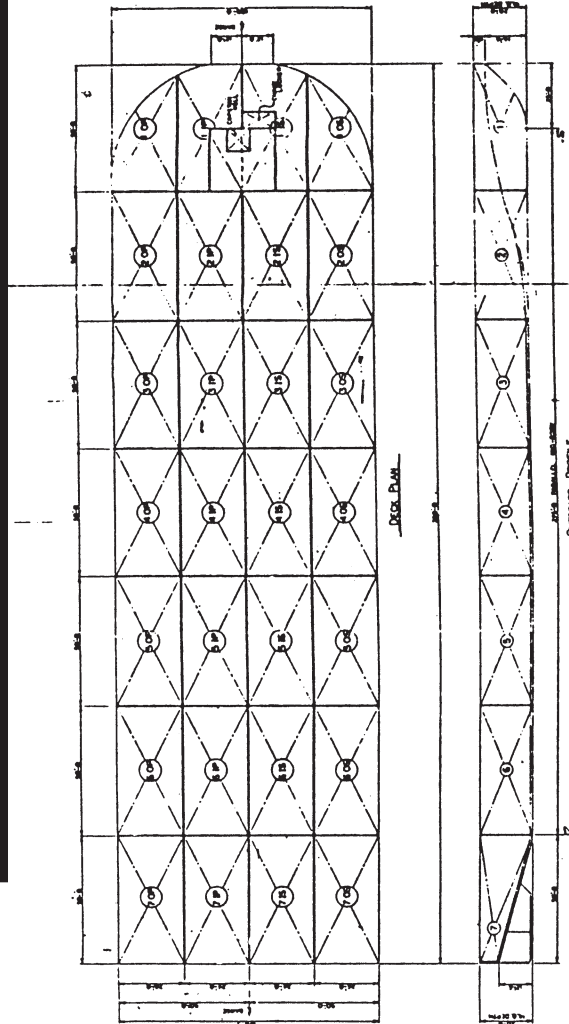
Length 350 ft
 Beam 100 ft
 Depth 20 ft
 Light Draft 4 ft
 Maximum Draft 15 ft
 Clear Deck Area 325 ft x 100 ft

CAPACITIES

Deck Cargo 11,650 tons
 Liquid Cargo 77,000 bbls

SPECIAL FEATURES

Specially designed bow for high speed towing in heavy seas. Heavy construction for both deck and chemical service. Submersible barge.



DIMENSIONS		SCALE	
Overall Length	Overall Beam	Overall Length	Overall Beam
350.0	100.0	13600	15000
325.0	100.0	13200	14600
300.0	100.0	12800	14200
275.0	100.0	12400	13800
250.0	100.0	12000	13400
225.0	100.0	11600	13000
200.0	100.0	11200	12600
175.0	100.0	10800	12200
150.0	100.0	10400	11800
125.0	100.0	10000	11400
100.0	100.0	9600	11000
75.0	100.0	9200	10600
50.0	100.0	8800	10200
25.0	100.0	8400	9800
0.0	100.0	8000	9400
	100.0	7600	9000
	100.0	7200	8600
	100.0	6800	8200
	100.0	6400	7800
	100.0	6000	7400
	100.0	5600	7000
	100.0	5200	6600
	100.0	4800	6200
	100.0	4400	5800
	100.0	4000	5400
	100.0	3600	5000
	100.0	3200	4600
	100.0	2800	4200
	100.0	2400	3800
	100.0	2000	3400
	100.0	1600	3000
	100.0	1200	2600
	100.0	800	2200
	100.0	400	1800
	100.0	0	1400

— TANK CAPACITIES —

Tank No.	LT/SW	From No.	LT/SW	To No.	LT/SW
1.0P	3.0P	3.0P	3.0P	3.0P	3.0P
1.1P	3.1P	3.1P	3.1P	3.1P	3.1P
1.2P	3.2P	3.2P	3.2P	3.2P	3.2P
1.3P	3.3P	3.3P	3.3P	3.3P	3.3P
1.4P	3.4P	3.4P	3.4P	3.4P	3.4P
1.5P	3.5P	3.5P	3.5P	3.5P	3.5P
1.6P	3.6P	3.6P	3.6P	3.6P	3.6P
1.7P	3.7P	3.7P	3.7P	3.7P	3.7P
1.8P	3.8P	3.8P	3.8P	3.8P	3.8P
1.9P	3.9P	3.9P	3.9P	3.9P	3.9P
2.0P	4.0P	4.0P	4.0P	4.0P	4.0P
2.1P	4.1P	4.1P	4.1P	4.1P	4.1P
2.2P	4.2P	4.2P	4.2P	4.2P	4.2P
2.3P	4.3P	4.3P	4.3P	4.3P	4.3P
2.4P	4.4P	4.4P	4.4P	4.4P	4.4P
2.5P	4.5P	4.5P	4.5P	4.5P	4.5P
2.6P	4.6P	4.6P	4.6P	4.6P	4.6P
2.7P	4.7P	4.7P	4.7P	4.7P	4.7P
2.8P	4.8P	4.8P	4.8P	4.8P	4.8P
2.9P	4.9P	4.9P	4.9P	4.9P	4.9P
3.0P	5.0P	5.0P	5.0P	5.0P	5.0P